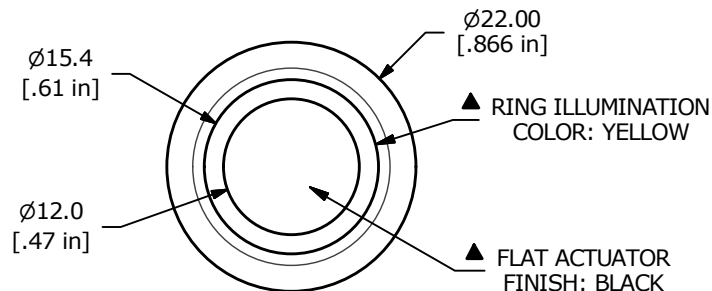


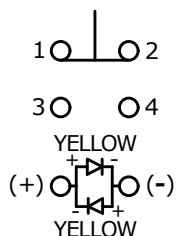
RECOMMENDED PANEL CUTOUT
MAX. PANEL THICKNESS
11.0mm [.433]



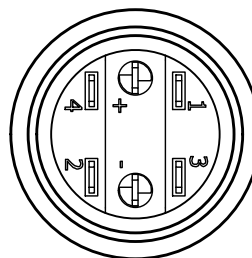
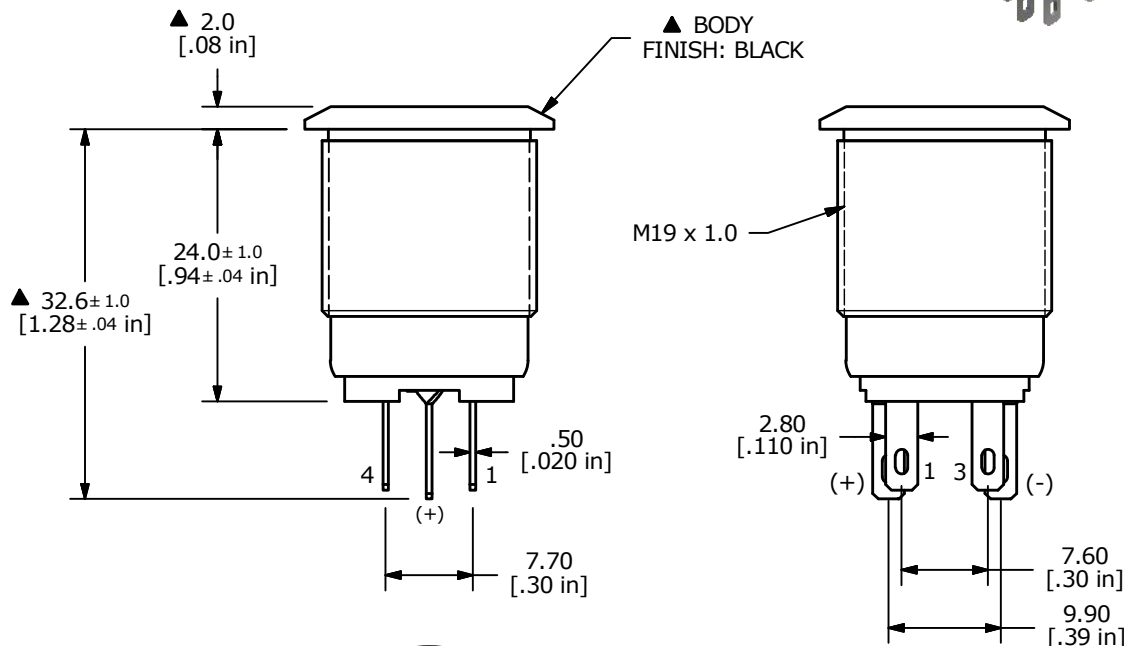
▲ RING ILLUMINATION
COLOR: YELLOW
▲ FLAT ACTUATOR
FINISH: BLACK
▲ BODY
FINISH: BLACK

SWITCH FUNCTION	
POS. 1	POS. 2
1-2 ON	1-2 (OFF)
3-4 OFF	3-4 (ON)

() = MOMENTARY



SPDT ON-(OFF) / OFF-(ON)
CONTACT CONFIGURATION



- NOTE:
- ALL DIMENSIONS IN MM [INCH]
 - GENERAL TOLERANCE: X.X = ±0.4
X.XX = ±0.25
 - TERMINAL NUMBERS FOR REF ONLY
 - CONTACT MATERIAL: SILVER
 - RATING: 2A 24VDC
 - ELECTRIC LIFE: 50,000 MAKE-AND-BREAK CYCLES AT FULL LOAD.
 - INSULATION RESISTANCE: 1,000 MΩ MIN.
 - DIELECTRIC STRENGTH: 2,000 VAC MIN. FOR 1 MINUTE
 - CONTACT RESISTANCE: 50mΩ MAX. @ 1A 12VDC
 - OPERATING TEMP.: -20°C to 55°C
 - TRAVEL: 2.8mm
 - ▲ DENOTES CRITICAL PARAMETER.
 - LAMP VOLTAGE: 1.8V
 - INGRESS PROTECTION: IP65
 - HARDWARE SUPPLIED: O-RING AND HEXNUT



REV	PCR NO	DESCRIPTION	DATE	BY
C	23606	UPDATED RATING TO 2A @ 24VDC	10/11/18	MJR
B	23222	DRAWING UPDATES, Note 13 to 1.8V	2/16/18	MW

TITLE PV4F2Y011-351				
SCALE 3:2	DATE 10/6/2011	DR BGL	DWG 52-PV4F2Y011351	REV C

THE INFORMATION CONTAINED IN THIS DOCUMENT IS PROPRIETARY TO E-SWITCH AND IS NOT TO BE COPIED OR TRANSFERRED